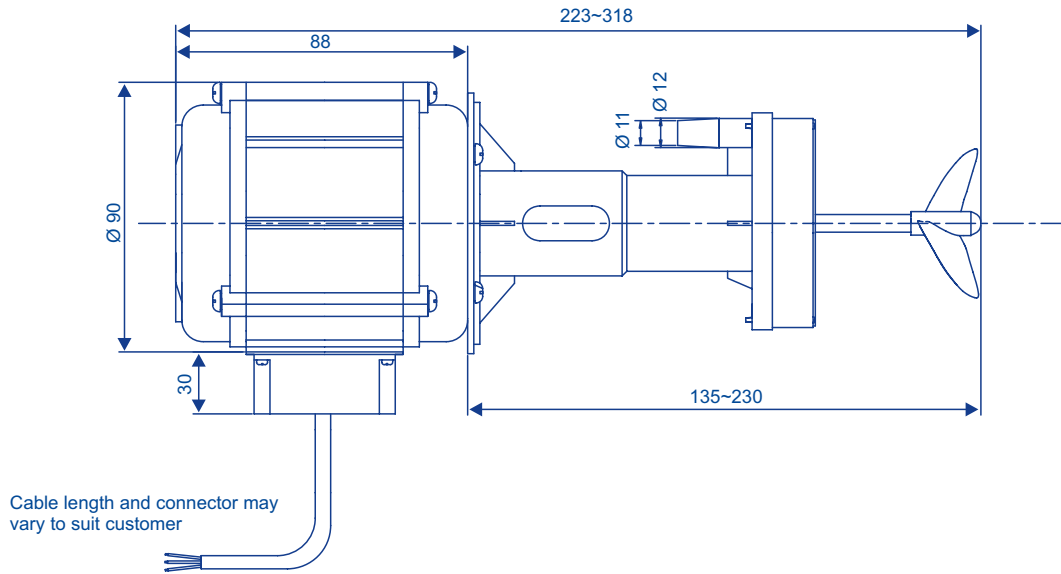


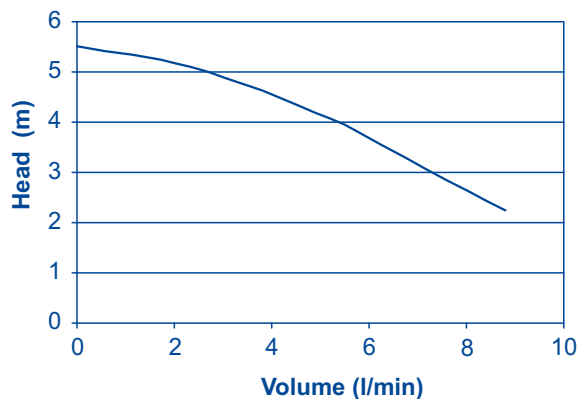


Agitator Pump

Type	Input Power W	Speed RPM	Voltage V	Frequency Hz	Current A	Capacity l/min	Weight kg
AMV APAA 01	50	2750	230	50/60	0.2	8.8	1.9



Performance



Ambient Temperature	Thermal Protector	Protection Class	Insulation Class	Capacitor
40 °C	130±5 °C	IP 44	B	1.5 µF/450V