

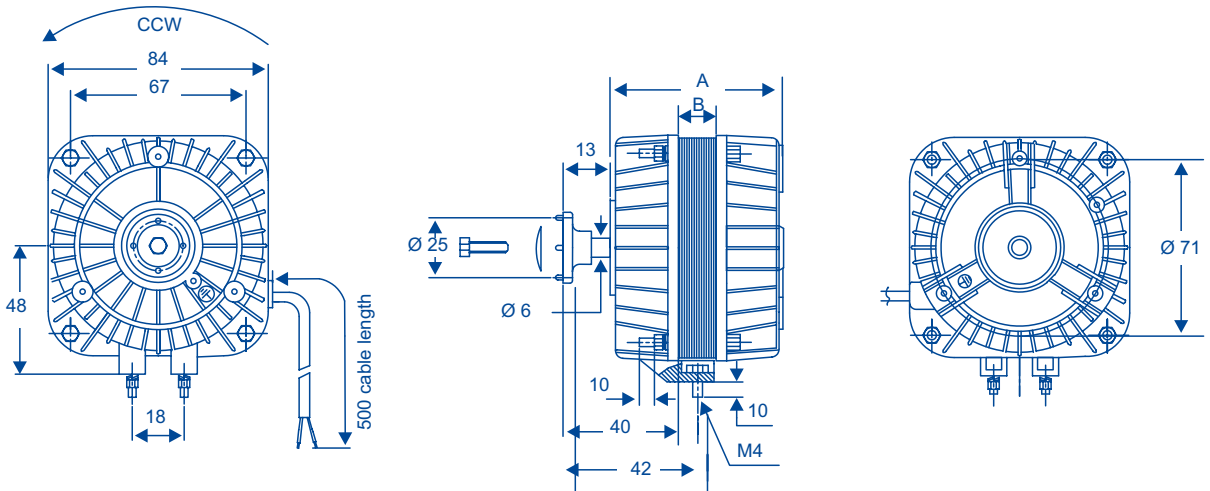


AMV 90 - Series

120 V, 60 Hz

Type	Input Power W	Output Power W	Current A	Speed RPM	Protection	Approval
AMV90 CA01	33	6	0.55	1450	Therm-protector	UL
AMV90 CA02	55	10	0.80	1450	Therm-protector	UL
AMV90 CA03	70	18	1.01	1450	Therm-protector	UL

Product Dimensions



Dimensions in mm

Type	A (mm)	B (mm)
AMV90 CA 01	63	13
AMV90 CA 02	69	19
AMV90 CA 03	75	25

Ambient Temperature	Direction of Rotation	Protection / Insulation Class	Approval
-30 °C to +40 °C	CCW	IP 42 / Class B	