

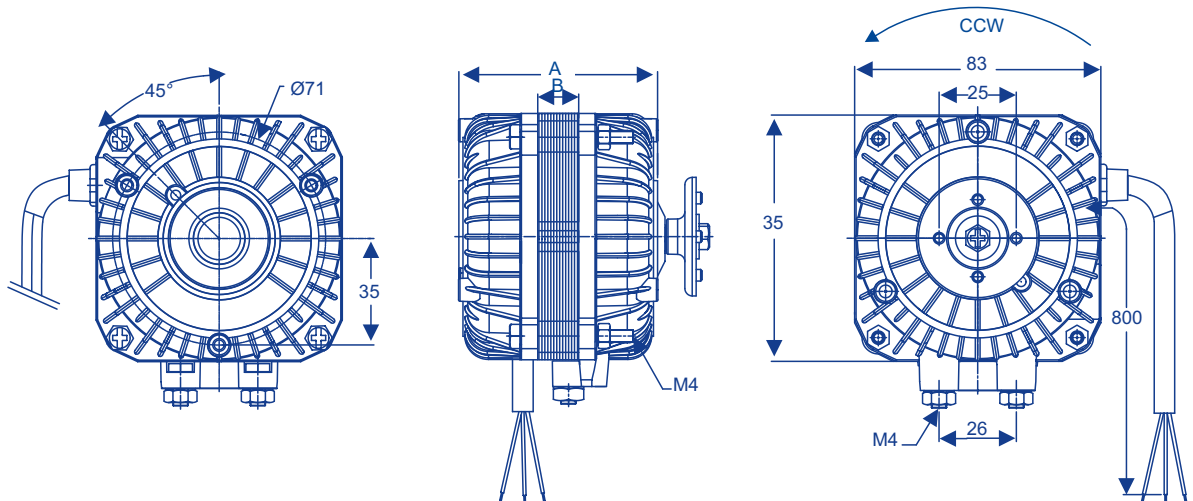


AMV 81 - Series

220-240 V, 50/60 Hz

Type	Input Power W	Output Power W	Current A	Speed RPM	Protection	Approval
AMV81 CA01	29	5	0.18	1300/1550	Impedance	CE
AMV81 CA02	39	7	0.23	1300/1550	Impedance	CE
AMV81 CA03	40	10	0.36	1300/1550	Impedance	CE
AMV81 CA04	72	16	0.50	1300/1550	Impedance	CE
AMV81 CA05	72	18	0.50	1300/1550	Thermal	CE

Product Dimensions



Dimensions in mm

Type	A (mm)	B (mm)
AMV81 CA 01	66	13
AMV81 CA 02	69	16
AMV81 CA 03	72	19
AMV81 CA 04	83	30
AMV81 CA 05	83	30

Ambient Temperature	Direction of Rotation	Protection	Insulation Class
-30 °C to +40 °C	CCW	IP 42	B