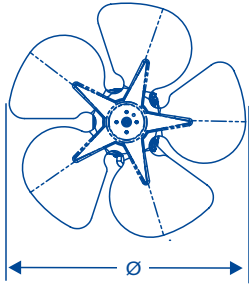


## Accessories

### Axial Impeller



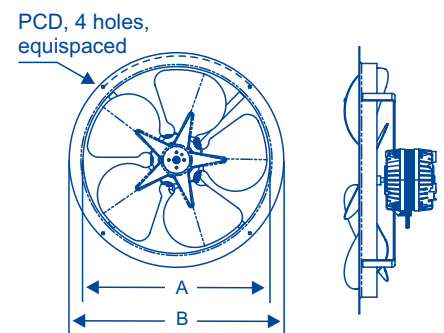
Fan	Pitch			
	19°	22°	28°	34°
Ø				
154	■	■	■	■
172	■	■	■	■
200	■	■	■	■
230	■	■	■	
254	■	■	■	
300	■	■		

Impeller Material - Aluminium

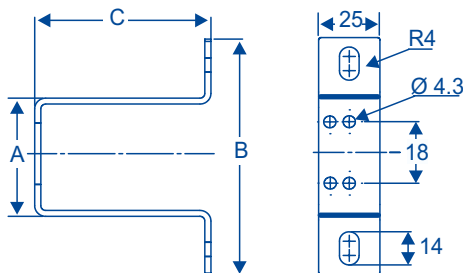
### Wall Mount Ring

Type	A	B	PCD
1MS100011	164	200	190
1MS100012	182	223	208
1MS100013	210	246	236
1MS100014	240	276	266
1MS100015	264	300	290
1MS100016	300	356	344

Wall Ring Material - Plated Steel



### Mounting Bracket



Type	A	B	C
1MS100018	51	100	56
1MS100019	51	100	74.5

Bracket Material - Plated Steel

All dimensions in mm