

A large, abstract graphic composed of several overlapping, curved, blue brushstrokes that sweep across the lower half of the page, creating a sense of motion and depth.

**AIRMO·VENT®**

Commercial Refrigeration Motors  
and Accessories

2010 Catalogue



# Contents

Shaded Pole Motors .....	1-2
Impellers .....	3-5
Wall Rings.....	6-7
Brackets.....	8
Power Leads.....	9




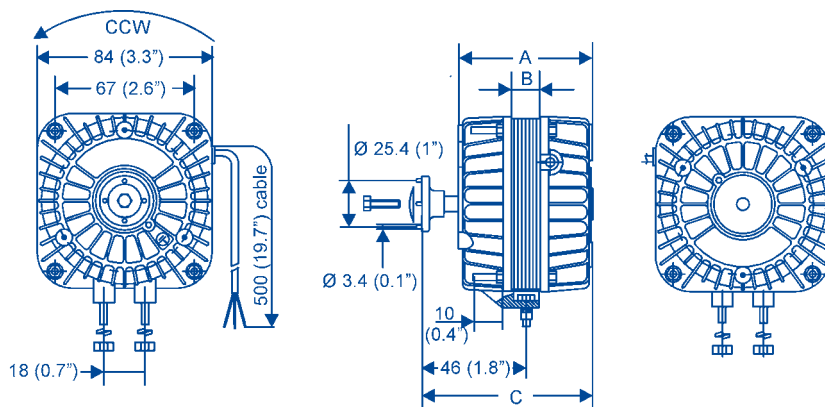
# Shaded Pole Motors

## AMV 80 Series

220-240 V, 50/60 Hz

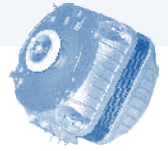
Type	Input Power W	Output Power W	Current A	Speed RPM	Protection
AMV801	29	5	0.21	1300/1550	Impedance
AMV802	31	7	0.23	1300/1550	Impedance
AMV803	36	10	0.25	1300/1550	Impedance
AMV804	60	16	0.45	1300/1550	Therm-protector
AMV805	70	18	0.5	1300/1550	Therm-protector
AMV806	90	25	0.7	1300/1550	Therm-protector
AMV807	110	34	0.85	1300/1550	Therm-protector

Operating Temperature	Direction of Rotation	Protection/Insulation Class	Bearing Types	Approvals
-30 °C to +40 °C -22 °F to +104 °F	CCW	IP42/Class B	Sleeve	CE 



Dimensions in mm and (inches).

Motor		A	B	C
AMV801	mm	66	13	81
	inches	2.6	0.5	3.2
AMV802	mm	72	19	87
	inches	2.8	0.8	3.4
AMV803	mm	72	19	87
	inches	2.8	0.8	3.4
AMV804	mm	78	25	92
	inches	3	1	3.6
AMV805	mm	84	30	101
	inches	3.3	1.2	4
AMV806	mm	94	40	112
	inches	3.7	1.6	4.4
AMV807	mm	99	45	121
	inches	4	1.8	4.8



# Shaded Pole Motors

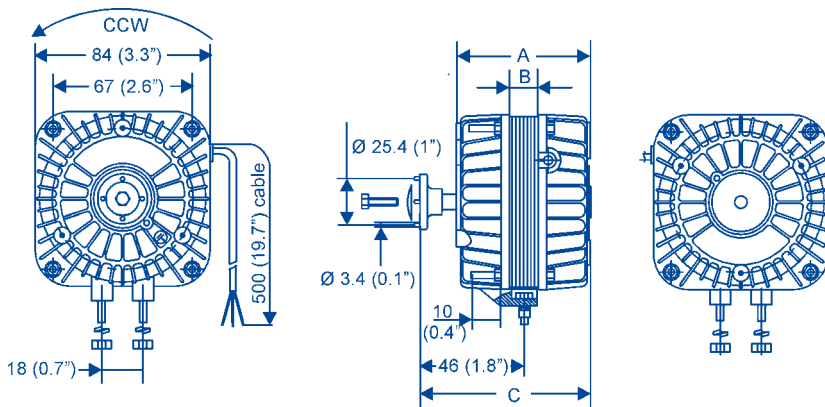
## AMV 90 and 92 Series

120 V, 60 Hz

Motor	Input Power W	Output Power W	Current A	Speed RPM	Protection
AMV901	33	6	0.55	1550	Therm-protector
AMV902	55	10	0.80	1550	Therm-protector
AMV903	70	18	1.01	1550	Therm-protector
AMV921	33	6	0.55	1550	Therm-protector
AMV922	55	10	0.80	1550	Therm-protector
AMV923	70	18	1.01	1550	Therm-protector

Operating Temperature	Direction of Rotation	Protection/Insulation Class	Bearing Type	Approvals
-30 °C to +40 °C -22 °F to +104 °F	CCW	IP42/Class B	Sleeve*, Ball	

\* AMV 90 Series only.



Dimensions in mm and (inches).

Motor		A	B	C
AMV901	mm	66	13	81
	inches	2.6	0.5	3.2
AMV902	mm	72	19	87
	inches	2.8	0.8	3.4
AMV903	mm	84	30	101
	inches	3.3	1.2	4
AMV921	mm	66	13	81
	inches	2.6	0.5	3.2
AMV922	mm	72	19	87
	inches	2.8	0.8	3.4
AMV923	mm	84	30	101
	inches	3.3	1.2	4

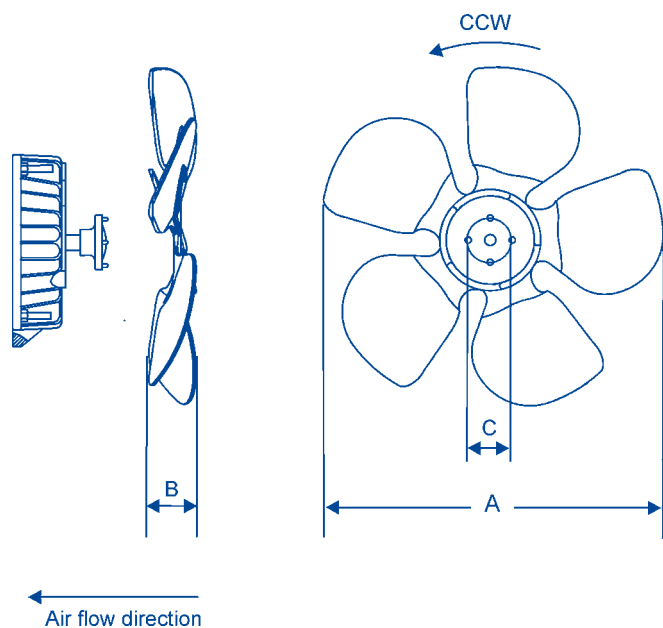
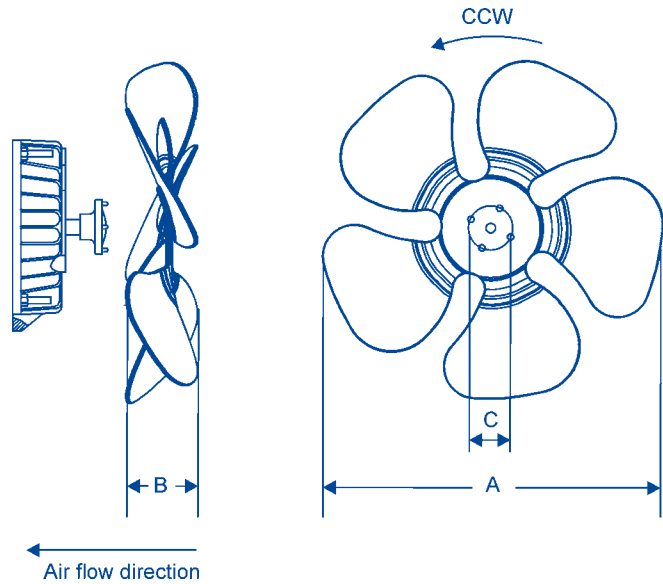
# Metric Impellers

Material: Aluminum

Part Number	Pitch (degrees)	A (mm)	B (mm)	C (mm)
1MM100180	14	154	18	25.4
1MM100181	15	154	19	25.4
1MM100182	16	154	20	25.4
1MM100186	19	154	23	25.4
1MM100187	22	154	26	25.4
1MM100188	25	154	29	25.4
1MM100189	28	154	32	25.4
1MM100190	31	154	36	25.4
1MM100191	34	154	39	25.4
1MM100131	19	172	25	25.4
1MM100198	22	172	28	25.4
1MM100199	25	172	31	25.4
1MM100200	28	172	34	25.4
1MM100201	31	172	38	25.4
1MM100202	34	172	41	25.4
1MM100209	19	200	27	25.4
1MM100210	22	200	30	25.4
1MM100211	25	200	33	25.4
1MM100212	28	200	36	25.4
1MM100213	31	200	40	25.4
1MM100214	34	200	43	25.4
1MM100221	19	230	30	25.4
1MM100222	22	230	33	25.4
1MM100223	25	230	36	25.4
1MM100224	28	230	39	25.4
1MM100225	31	230	42	25.4
1MM100226	34	230	45	25.4
1MM100233	19	250	31	25.4
1MM100234	22	250	34	25.4
1MM100235	25	250	37	25.4
1MM100236	28	250	40	25.4
1MM100237	31	250	43	25.4
1MM100238	34	250	45	25.4
1MM100245	19	254	32	25.4
1MM100246	22	254	35	25.4
1MM100247	25	254	38	25.4
1MM100248	28	254	41	25.4

Material: Plastic

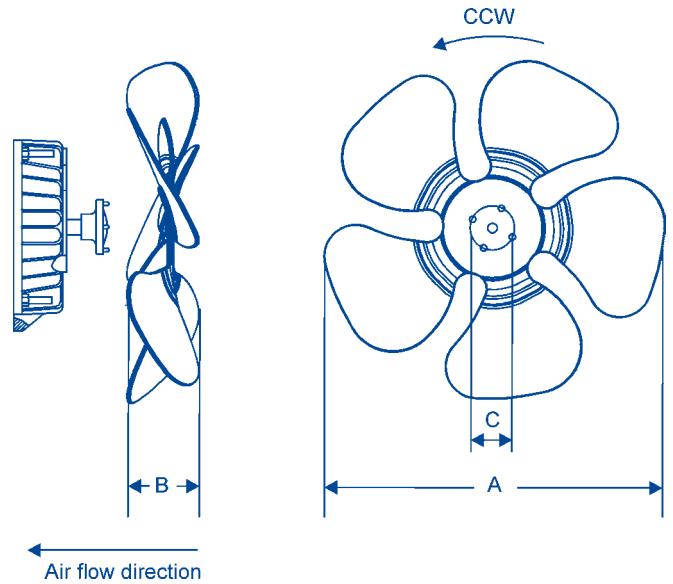
Part Number	Pitch (degrees)	A (mm)	B (mm)	C (mm)
1MM100107	20	200	27	25.4
1MM100108	28	200	42	25.4
1MM100109	25	220	34	25.4



# Imperial Impellers

Material: Aluminum

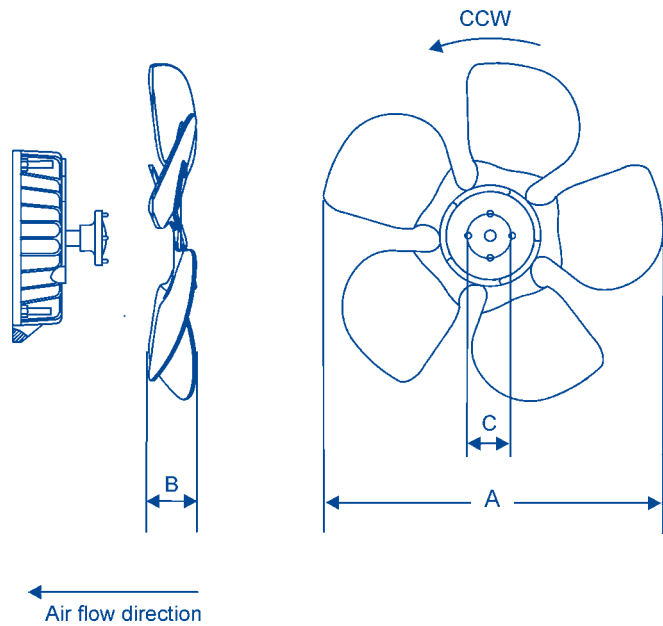
Part Number	Pitch (degrees)	A (inches)	B (inches)	C (inches)
1MM100146	10	6	0.55	1.00
1MM100147	12	6	0.63	1.00
1MM100148	14	6	0.71	1.00
1MM100149	16	6	0.79	1.00
1MM100150	18	6	0.87	1.00
1MM100151	20	6	0.94	1.00
1MM100152	22	6	1.02	1.00
1MM100153	24	6	1.10	1.00
1MM100154	26	6	1.18	1.00
1MM100128	28	6	1.26	1.00
1MM100155	30	6	1.34	1.00
1MM100156	32	6	1.42	1.00
1MM100157	34	6	1.50	1.00
1MM100158	36	6	1.57	1.00
1MM100159	38	6	1.65	1.00
1MM100160	40	6	1.73	1.00
1MM100161	30	6 1/4	1.35	1.00
1MM100162	32	6 1/4	1.43	1.00
1MM100163	34	6 1/4	1.51	1.00
1MM100164	36	6 1/4	1.58	1.00
1MM100165	38	6 1/4	1.66	1.00
1MM100166	20	7	1.01	1.00
1MM100167	22	7	1.09	1.00
1MM100168	24	7	1.17	1.00
1MM100169	26	7	1.25	1.00
1MM100170	28	7	1.33	1.00
1MM100171	30	7	1.41	1.00
1MM100172	32	7	1.49	1.00
1MM100173	34	7	1.56	1.00
1MM100174	36	7	1.64	1.00
1MM100175	20	7 3/4	1.07	1.00
1MM100176	22	7 3/4	1.17	1.00
1MM100177	25	7 3/4	1.29	1.00
1MM100178	28	7 3/4	1.41	1.00
1MM100179	30	7 3/4	1.52	1.00
1MM100113	10	8	0.69	1.00
1MM100114	12	8	0.77	1.00
1MM100115	14	8	0.84	1.00
1MM100123	15	8	0.88	1.00
1MM100116	16	8	0.92	1.00
1MM100117	18	8	1.00	1.00
1MM100118	20	8	1.08	1.00
1MM100136	21	8	1.14	1.00
1MM100119	22	8	1.18	1.00
1MM100137	23	8	1.22	1.00



1MM100120	24	8	1.26	1.00
1MM100124	25	8	1.30	1.00
1MM100121	26	8	1.34	1.00
1MM100122	28	8	1.42	1.00
1MM100139	31	8	1.57	1.00
1MM100140	37	8	1.81	1.00
1MM100141	22	8 3/4	1.23	1.00
1MM100142	24	8 3/4	1.31	1.00
1MM100143	25	8 3/4	1.35	1.00
1MM100144	26	8 3/4	1.39	1.00
1MM100145	28	8 3/4	1.47	1.00

Material: Plastic

Part Number	Pitch (degrees)	A (inches)	B (inches)	C (inches)
1MM100107	20	8	1.08	1.00
1MM100108	28	8	1.64	1.00
1MM100109	25	8 3/4	1.35	1.00



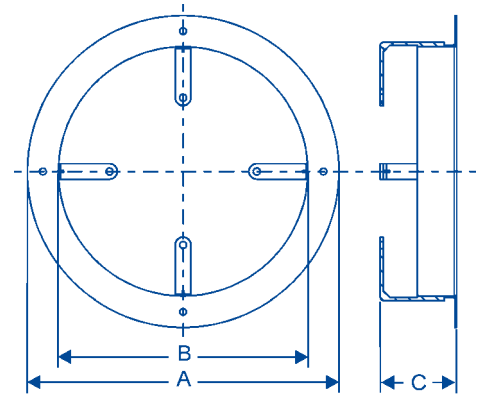
← Air flow direction

# Wall Rings

**Material: Metal**

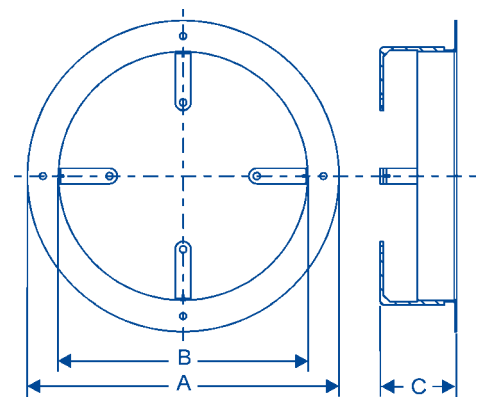
Part Number		Impellers Ø	A	B	C
1MS100011	mm	154	200	162	49
	inches	6	7.87	6.38	1.93
1MS100012	mm	172	223	180	49
	inches	6 1/2	8.78	7.09	1.93
1MS100013	mm	200	246	200	49
	inches	7 3/4	9.69	7.87	1.93
1MS100014	mm	230	278	238	49
	inches	9	10.94	9.37	1.93
1MS100015	mm	254	300	262	49
	inches	10	11.81	10.31	1.93

Metal Type: Galvanized steel.



Part Number		Impellers Ø	A	B	C
1MS100081	mm	154	200	162	49
	inches	6	7.87	6.38	1.93
1MS100082	mm	172	223	180	49
	inches	6 1/2	8.78	7.09	1.93
1MS100083	mm	200	246	200	49
	inches	7 3/4	9.69	7.87	1.93
1MS100084	mm	230	278	238	49
	inches	9	10.94	9.37	1.93
1MS100085	mm	254	300	262	49
	inches	10	11.81	10.31	1.93

Metal Type: Power coated steel, cream colour.

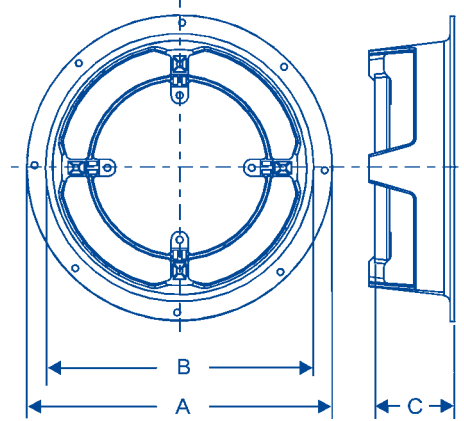


# Wall Rings

Material: Plastic

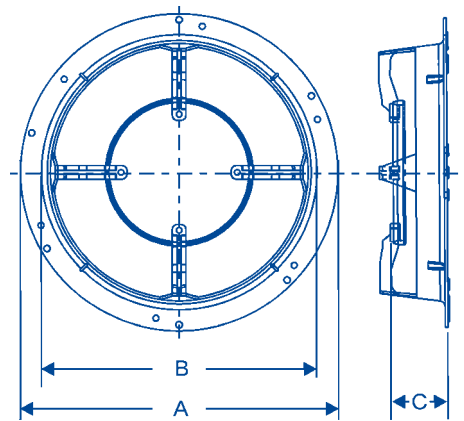
Part Number		Impeller Ø	A	B	C
1MS100089	mm	154	200	161	47
	inches	6	7.87	6.36	1.87

Plastic Type: Du Pont™ Zytel® FR50-NC010A, flame rated V(0), cream colour.



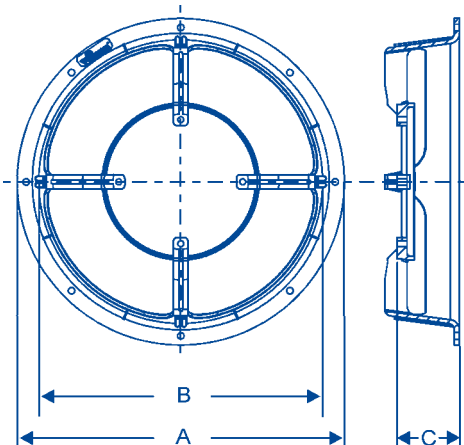
Part Number		Impeller Ø	A	B	C
1MS100088	mm	200	258	211	48
	inches	8	10.16	8.31	1.89

Plastic Type: Du Pont™ Zytel® FR50-NC010A, flame rated V(0), cream colour.



Part Number		Impeller Ø	A	B	C
1MS100073	mm	200	250	211	48
	inches	8	9.84	8.31	1.89

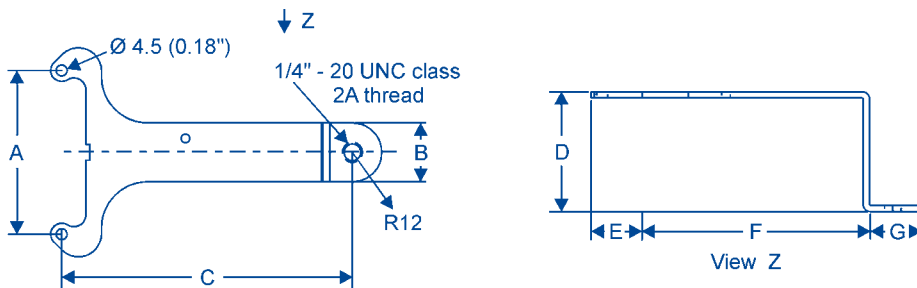
Plastic Type: Polypropylene 40% glass filled, black colour.



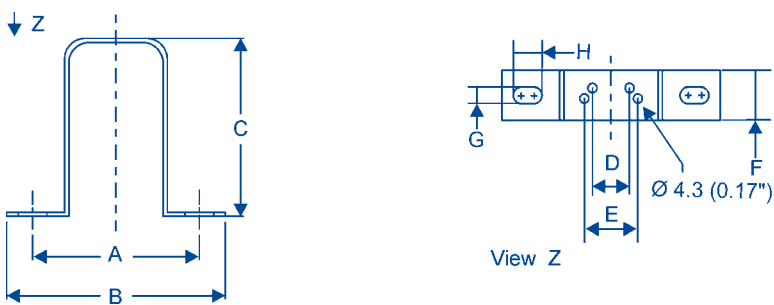
# Brackets

**Material: Plated Steel**

Part Number		A	B	C	D	E	F	G
1MS100070	mm	67	24	97	49	21	71	22
	inches	2.64	0.95	3.82	1.93	0.83	2.80	0.87
1MS100071	mm	67	24	119	49	21	93	22
	inches	2.64	0.95	4.69	1.93	0.83	3.66	0.87



Part Number		A	B	C	D	E	F	G	H
1MS100018	mm	81	106	55	18	26	24	8.2	13
	inches	3.18	4.17	2.16	0.71	1.02	0.95	0.32	0.54
1MS100019	mm	81	106	72	18	26	24	8.2	13
	inches	3.18	4.17	2.83	0.71	1.02	0.95	0.32	0.51
1MS100044	mm	81	106	84	18	26	24	8.2	20
	inches	3.18	4.17	3.31	0.71	1.02	0.95	0.32	0.79



# Power Leads

Standard power leads are shown in motor pages.  
 Products below are available upon request.

Part Number	Power Leads
ZM28491	<p>Technical drawings for part ZM28491. The side view shows a cable with three leads entering a cylindrical housing. Dimensions include a total length of 21 (0.83"), a lead length of 6 (0.24"), and a housing height of 14 (0.55"). The front view shows a diameter of 2.7 (0.10"), a lead spacing of 8 (0.32"), a lead length of 9.5 (0.37"), and a total width of 11 (0.43").</p>
ZM28492	<p>Technical drawings for part ZM28492. The side view shows a cable with three leads entering a rectangular housing. Dimensions include a total length of 25 (0.98"), a lead length of 3 (0.12"), a housing height of 11 (0.43"), and a lead spacing of 9.5 (0.37"). A diameter of 2.7 (0.10") is indicated. The top view shows a circular housing with a diameter of 15 (0.59") and two circular features.</p>
ZM28493	<p>Technical drawings for part ZM28493. The side view shows a cable with three leads entering a conical housing. Dimensions include a total length of 51.4 (2.02"), a lead length of 44 (1.73"), a housing height of 20.1 (0.79"), and a lead spacing of 7.4 (0.29"). The front view shows a diameter of 9.05 (0.36"), a lead spacing of 13 (0.51"), a lead length of 1 (0.04"), and a total width of 24.2 (0.95").</p>

Custom cable lengths are available upon request.

# International Offices

## USA

1407 Barclay Blvd  
Buffalo Grove, IL 60089  
USA  
Phone: +1 (224) 588-8712  
Toll Free: +1 (888) 786-4153  
Email: [info@airmovent.com](mailto:info@airmovent.com)

## Mexico

PO Box 57  
San Juan del Rio  
Querétaro  
Mexico 76800  
Phone: +52 427 112 9101  
Email: [info@airmovent.com](mailto:info@airmovent.com)

## New Zealand

AirMoVent Ltd  
16-22 Omega Street, Rosedale  
North Shore City 0632  
New Zealand  
Phone: +64 (0) 9 414 6590  
Fax: +64 (0) 9 414 6591  
Email: [info@airmovent.com](mailto:info@airmovent.com)

## Italy

Via Torino, 2  
20123, Milan  
Italy  
Phone: +39 02 7254 6746  
Fax: +39 02 7254 6412  
Email: [info@airmovent.com](mailto:info@airmovent.com)

## Turkey

Bostanci Yolu Cad Keyap Sitesi, No:105  
Yukari Dudullu, Umraniye 34775 Istanbul  
Turkey  
Phone: +90 (0) 216 420 1202  
Fax: +90 (0) 216 420 1205  
Email: [info@airmovent.com](mailto:info@airmovent.com)

## Singapore

39 Tampines Street 92  
#4-00  
Singapore 528883  
Phone: +65 6373 7200  
Fax: +65 6373 7201  
Email: [info@airmovent.com](mailto:info@airmovent.com)

**AIRMOVENT®**

WT6763 January 2010