

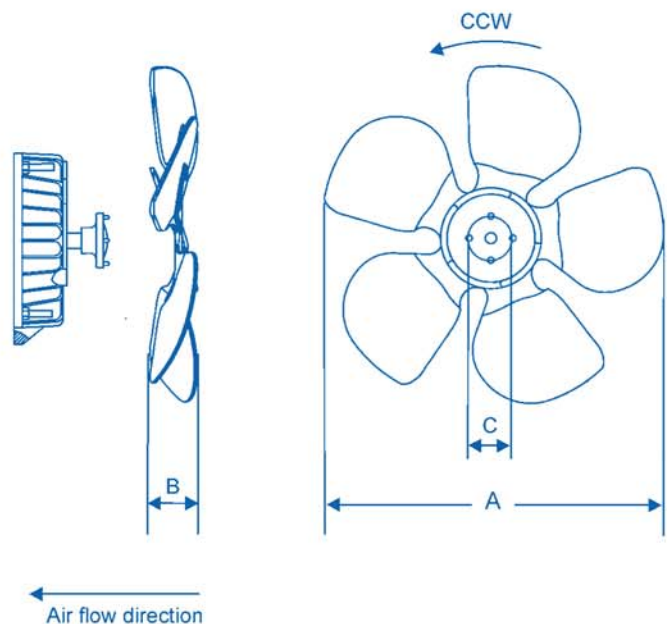
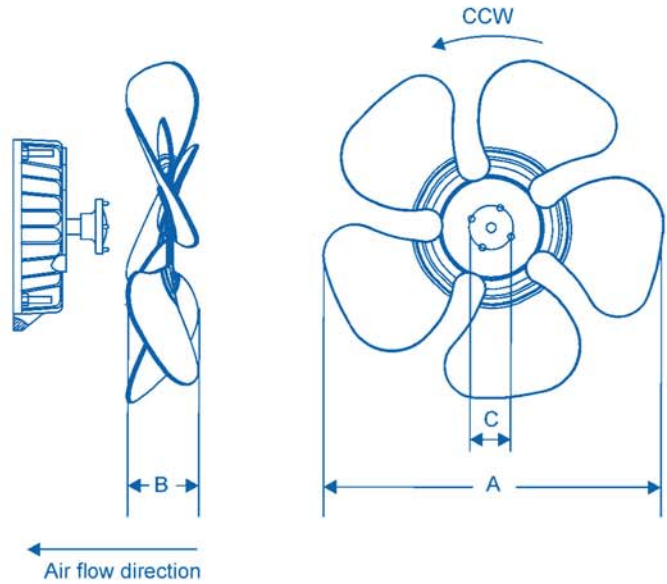
# Metric Impellers

Material: Aluminum

Part Number	Pitch (degrees)	A (mm)	B (mm)	C (mm)
1MM100180	14	154	18	25.4
1MM100181	15	154	19	25.4
1MM100182	16	154	20	25.4
1MM100186	19	154	23	25.4
1MM100187	22	154	26	25.4
1MM100188	25	154	29	25.4
1MM100189	28	154	32	25.4
1MM100190	31	154	36	25.4
1MM100191	34	154	39	25.4
1MM100131	19	172	25	25.4
1MM100198	22	172	28	25.4
1MM100199	25	172	31	25.4
1MM100200	28	172	34	25.4
1MM100201	31	172	38	25.4
1MM100202	34	172	41	25.4
1MM100209	19	200	27	25.4
1MM100210	22	200	30	25.4
1MM100211	25	200	33	25.4
1MM100212	28	200	36	25.4
1MM100213	31	200	40	25.4
1MM100214	34	200	43	25.4
1MM100221	19	230	30	25.4
1MM100222	22	230	33	25.4
1MM100223	25	230	36	25.4
1MM100224	28	230	39	25.4
1MM100225	31	230	42	25.4
1MM100226	34	230	45	25.4
1MM100233	19	250	31	25.4
1MM100234	22	250	34	25.4
1MM100235	25	250	37	25.4
1MM100236	28	250	40	25.4
1MM100237	31	250	43	25.4
1MM100238	34	250	45	25.4
1MM100245	19	254	32	25.4
1MM100246	22	254	35	25.4
1MM100247	25	254	38	25.4
1MM100248	28	254	41	25.4

Material: Plastic

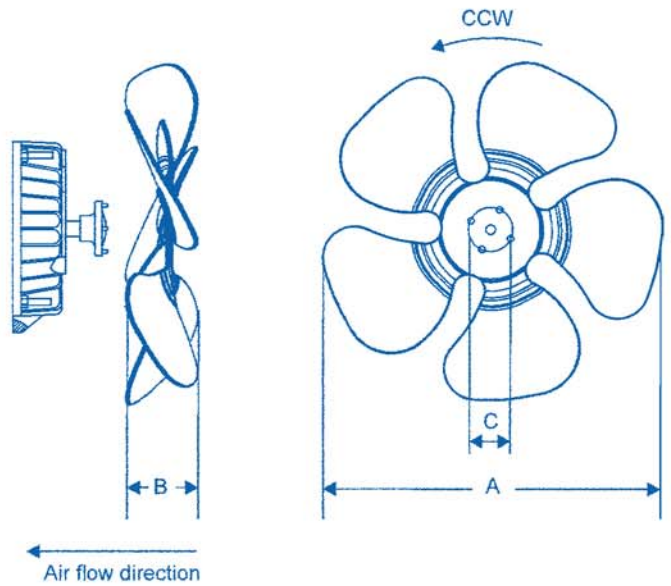
Part Number	Pitch (degrees)	A (mm)	B (mm)	C (mm)
1MM100107	20	200	27	25.4
1MM100108	28	200	42	25.4
1MM100109	25	220	34	25.4



# Imperial Impellers

Material: Aluminum

Part Number	Pitch (degrees)	A (inches)	B (inches)	C (inches)
1MM100146	10	6	0.55	1.00
1MM100147	12	6	0.63	1.00
1MM100148	14	6	0.71	1.00
1MM100149	16	6	0.79	1.00
1MM100150	18	6	0.87	1.00
1MM100151	20	6	0.94	1.00
1MM100152	22	6	1.02	1.00
1MM100153	24	6	1.10	1.00
1MM100154	26	6	1.18	1.00
1MM100128	28	6	1.26	1.00
1MM100155	30	6	1.34	1.00
1MM100156	32	6	1.42	1.00
1MM100157	34	6	1.50	1.00
1MM100158	36	6	1.57	1.00
1MM100159	38	6	1.65	1.00
1MM100160	40	6	1.73	1.00
1MM100161	30	6 1/4	1.35	1.00
1MM100162	32	6 1/4	1.43	1.00
1MM100163	34	6 1/4	1.51	1.00
1MM100164	36	6 1/4	1.58	1.00
1MM100165	38	6 1/4	1.66	1.00
1MM100166	20	7	1.01	1.00
1MM100167	22	7	1.09	1.00
1MM100168	24	7	1.17	1.00
1MM100169	26	7	1.25	1.00
1MM100170	28	7	1.33	1.00
1MM100171	30	7	1.41	1.00
1MM100172	32	7	1.49	1.00
1MM100173	34	7	1.56	1.00
1MM100174	36	7	1.64	1.00
1MM100175	20	7 3/4	1.07	1.00
1MM100176	22	7 3/4	1.17	1.00
1MM100177	25	7 3/4	1.29	1.00
1MM100178	28	7 3/4	1.41	1.00
1MM100179	30	7 3/4	1.52	1.00
1MM100113	10	8	0.69	1.00
1MM100114	12	8	0.77	1.00
1MM100115	14	8	0.84	1.00
1MM100123	15	8	0.88	1.00
1MM100116	16	8	0.92	1.00
1MM100117	18	8	1.00	1.00
1MM100118	20	8	1.08	1.00
1MM100136	21	8	1.14	1.00
1MM100119	22	8	1.18	1.00
1MM100137	23	8	1.22	1.00



1MM100120	24	8	1.26	1.00
1MM100124	25	8	1.30	1.00
1MM100121	26	8	1.34	1.00
1MM100122	28	8	1.42	1.00
1MM100139	31	8	1.57	1.00
1MM100140	37	8	1.81	1.00
1MM100141	22	8 3/4	1.23	1.00
1MM100142	24	8 3/4	1.31	1.00
1MM100143	25	8 3/4	1.35	1.00
1MM100144	26	8 3/4	1.39	1.00
1MM100145	28	8 3/4	1.47	1.00

**Material: Plastic**

Part Number	Pitch (degrees)	A (inches)	B (inches)	C (inches)
1MM100107	20	8	1.08	1.00
1MM100108	28	8	1.64	1.00
1MM100109	25	8 3/4	1.35	1.00

